 PDi Communication Systems, Inc. <i>Your Source for Healthcare and          Wellness Infotainment™</i>	MODEL NUMBER: <b>PD181-618 &amp; PD181-618-PAN</b>	Document Number: PD196-070R4
	TABLE MOUNT	Page 1 of 3

**SCOPE:**

TO INSTALL A PD181-618 OR PD181-618-PAN TABLE MOUNT TO AN ELED TELEVISION .  
 TELEVISIONS SHOWN WITH PDI MOUNTING KIT, (PURCHASED SEPARATELY).

**TOOL LIST:**

1. SAFETY GLASSES/GOGGLES
2. SCREWDRIVER

**SAFETY STEPS:**

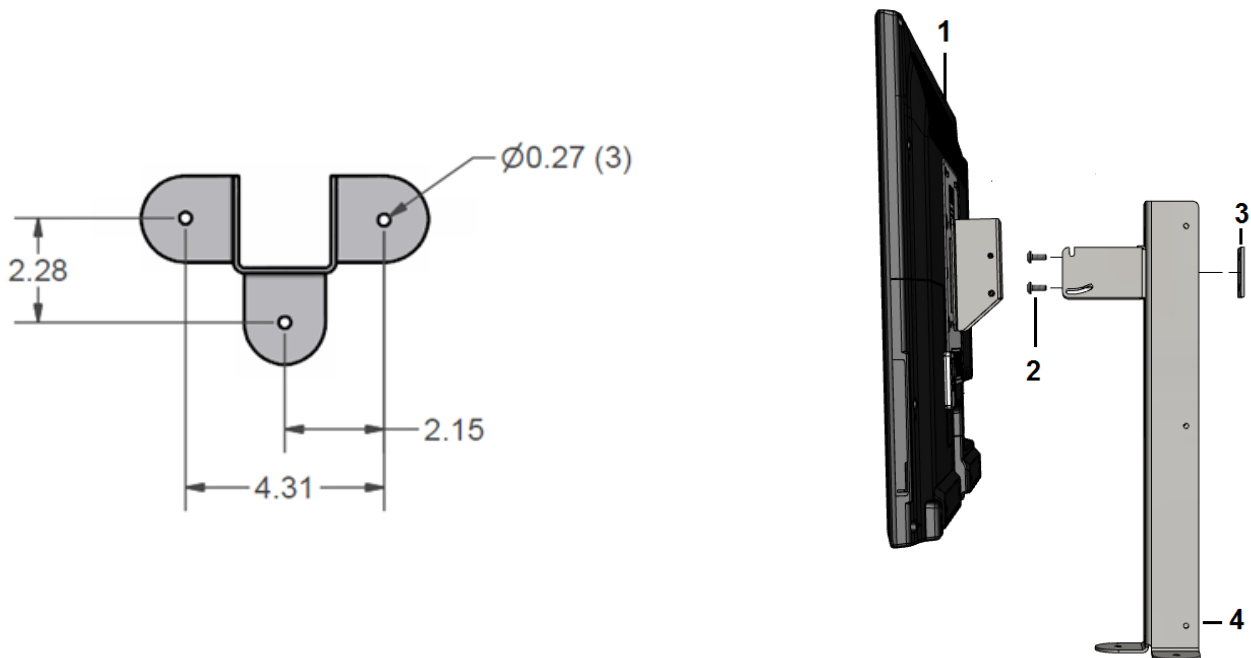
1. ALWAYS WEAR SAFETY GLASSES/GOGGLES TO PREVENT INJURY FROM DEBRIS.
2. FOLLOW THE INSTALLATION/REMOVAL INSTRUCTIONS FOR YOUR EXISTING PRODUCT.


**PARTS LIST**

ITEM	PART NUMBER	DESCRIPTION	QTY
1		ELED TV (NOT INCLUDED)	1
2	PDIBHSCS252050	BUTTON HEAD SOCKET CAP SCREW	2
3	PD181-619	NUT PLATE	1
4	PD181-620	STAND	1
5	PD168-004	PAN OPTION KIT (FOR PD181-618-PAN ONLY)	1

**MOUNTING INSTRUCTIONS FOR LCD TABLE MOUNT:**

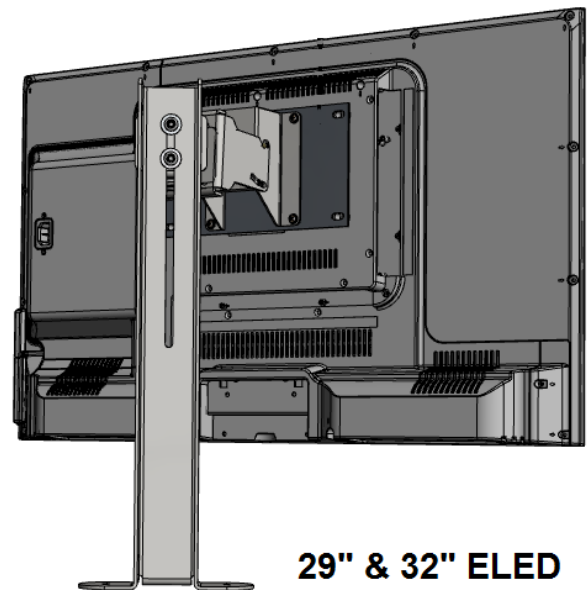
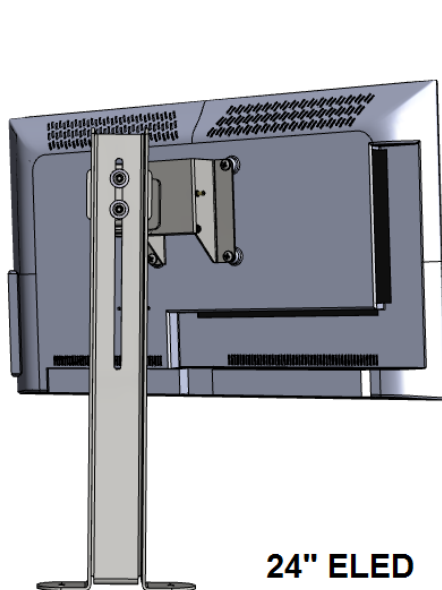
- 1) SECURELY MOUNT PD181-620 STAND (#4) TO TABLE SURFACE USING 1/4" FASTENERS (CUSTOMER SUPPLIED).
- 2) ATTACH THE VERTICAL WALL MOUNT BRACKET FROM PURCHASED MOUNTING KIT TO THE PD181-620 STAND USING THE PD181-619 NUT PLATE (#3) AND TWO 1/4-20 X 1/2 BUTTON HEAD SOCKET CAP SCREWS (#2). THIS MOUNT HAS AN ADJUSTABLE MOUNTING HEIGHT FEATURE. DETERMINE THE PROPER MOUNTING HEIGHT AND SECURELY TIGHTEN THE TWO 1/4-20 X 1/2 BUTTON HEAD SOCKET CAP SCREWS.
- 3) NEXT, MOUNT THE ELED TV FOLLOWING THE INSTRUCTIONS SUPPLIED WITH THE MOUNTING KIT.




 PDi Communication Systems, Inc. Your Source for Healthcare and Wellness Infotainment™	MODEL NUMBER: <b>PD181-618 &amp; PD181-618-PAN</b>	Document Number: PD196-070R4
	TABLE MOUNT	Page 2 of 3

**MOUNTING INSTRUCTIONS FOR LED TABLE MOUNT WITH PAN OPTION:**

- 1) SECURELY MOUNT PD181-620, STAND, TO TABLE SURFACE USING 1/4" FASTENERS (CUSTOMER SUPPLIED).
- 2) ATTACH THE VERTICAL WALL MOUNT BRACKET FROM PURCHASED BRACKET KIT TO THE PD168-004 USING THE TWO 1/4-20 X 1/2 BUTTON HEAD SOCKET CAP SCREWS AND TWO 1/4" FLAT WASHERS, AS PICTURED IN DETAILS "B" AND "C".
- 3) DETERMINE THE PROPER MOUNTING HEIGHT AND SECURELY TIGHTEN THE TWO 1/4-20 X 1/2 BUTTON HEAD SOCKET CAP SCREWS.
- 4) NEXT, MOUNT THE ELED TV FOLLOWING THE INSTRUCTIONS SUPPLIED WITH MOUNTING KIT.



 Your Source for Healthcare and Wellness Infotainment™	MODEL NUMBER: <b>PD181-618 &amp; PD181-618-PAN</b>	Document Number: PD196-070R4
	TABLE MOUNT	Page 3 of 3

**A, B, C VALUES**

ELED TV	A	B	C
24	13.1	14.0 to 21.1	0.9 to 7.9
29	15.3	16.2 to 21.5	0.2 to 5.4
32	16.2	17.9 to 24.5	0.2 to 6.7

